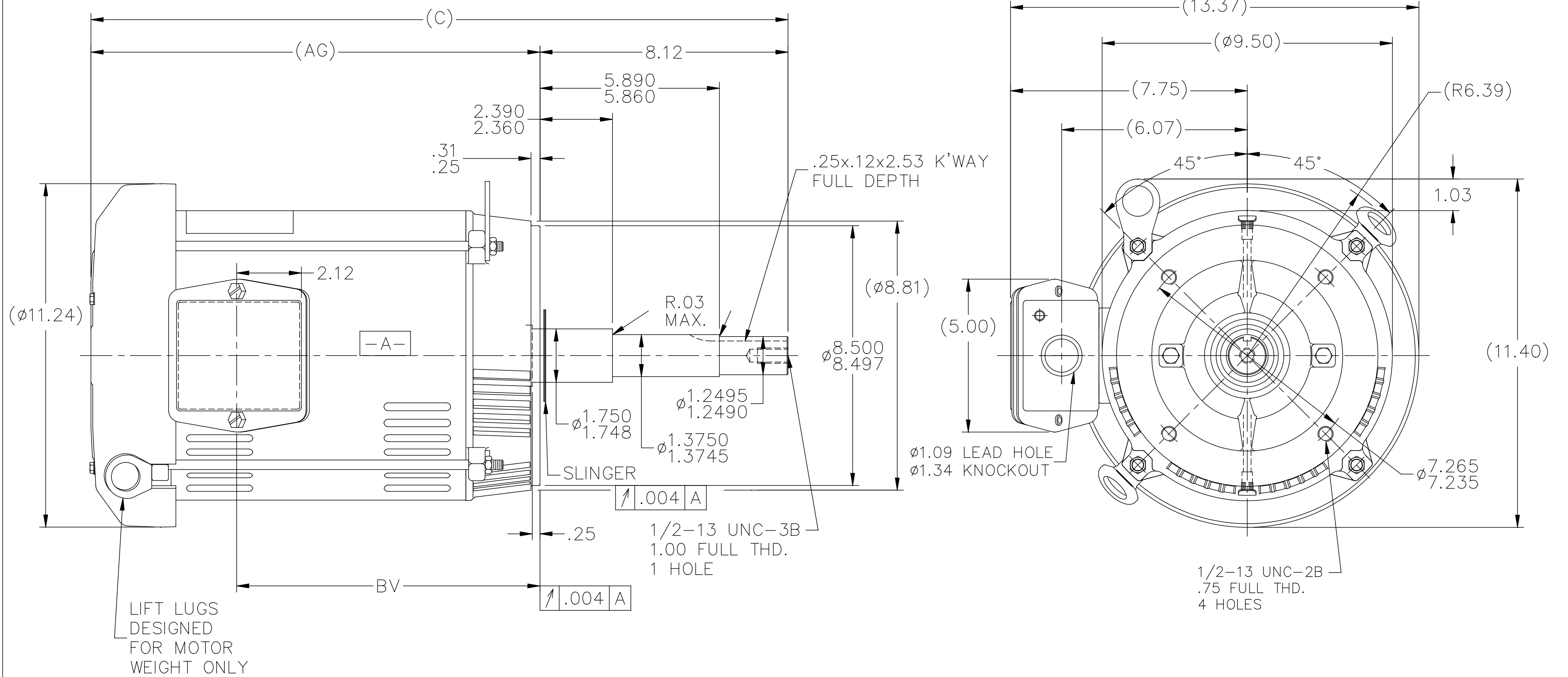


SS86615



- NOTES:
 1. NAMEPLATE TO BE READ FROM SHAFT EXT. END OF MOTOR.
 2. CONDUIT BOX CAN BE MOUNTED IN 90° STEPS.

DASH	FRAME	C	AG	BV	MOUNTING
965	213JP	22.81	14.69	9.93	
1115	213/15JP	24.31	16.19	11.43	
1240	213/15JP	25.56	17.44	12.68	

NO.	REVISION	BY & DATE	CHK	ANG	TOLERANCES UNLESS SPECIFIED	FINISH	DRAWN MRB 05-07-1996					
							ML	DEC.	INCHES	CHK		
9	UPDATED DRAWING	TJW 04/30/2007					DRAWN MRB 05-07-1996					
8	REDRAWN IN AUTOCAD	TAT 07-13-2004	ML	DEC.	INCHES		CHK ML 05-17-1996					
7	UPDATED C'BOX GEOMETRY CN 28425	DRS 01-31-2000		.X	±.1		APPD DN 05-17-1996					
6	REMOVED REF. FROM 8.12 DIMENSION CN 27400-311	BLR 08-18-1999		.XX	±.03	TITLE OUTLINE - C' FACE	SCALE 5=16					
5	REMOVED NOTE: "BOX CAN BE MOUNTED ON OPPOSITE SIDE OF MOTOR CN 23925-459	MJD 09-02-1997		.XXX	±.005	210JP FR. - BB - TS - DR.PR.	REF					
				.XXXX	±.0005	MAT'L.	FMF					
					±.7'30"		PREV					
THIS DRAWING IN DESIGN AND DETAIL IS OUR PROPERTY AND MUST NOT BE USED EXCEPT IN CONNECTION WITH OUR WORK ALL RIGHTS OF DESIGN AND INVENTION ARE RESERVED THIS IS AN ELECTRONICALLY GENERATED DOCUMENT - DO NOT SCALE THIS PRINT						RFP	CAD FILE ss86615	SIZE	DRAWING NO.	PAGE	OF	REV.
						DIST LB	B	SS86615	9			

